



# THE SACK FILLING & ROBOT PALLETISING COMPANY

LIMITED



# M320/11

**FREE FLOWING PRODUCT BAGGING SYSTEM**

# M320/11

## FREE FLOWING PRODUCT BAGGING SYSTEM

Based on the well proven principles of the Sack Filling range of bagging and weighing systems the M320/11 has been designed to cope with a wide range of free flowing substances such as grain, sugar, salts and other industrial materials. It can be fed directly from an overhead bulk hopper or constant supply source and will weigh into paper, plastic and hessian sacks at up to 320 bags per hour between 10 and 50kg.

- Integral dust extraction hood.
- Internal trickle feed hopper for optimum accuracy.
- Modular construction to customers requirements. PLC controlled.
- Up to 320 bags/hr depending on product and bag size.
- Minimum IP44 rating

### Optional Extras

- Stainless Steel for food quality.
- Pneumatic operation for hazardous conditions.
- Auger fed systems.
- Overhead storage bins.
- Flow feed unit.
- Electronic Weighing System

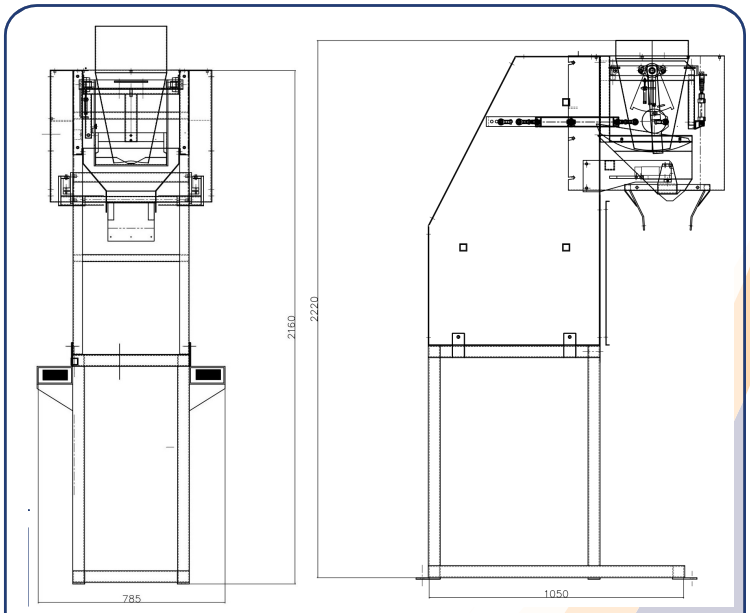
### After Sales Service

Fast on site service by factory trained engineers coupled with extensive stocks of competitively priced spare parts guarantees maximum productivity and protects the customer's investment.

### The Sack Filling & Robot Palletising Company Ltd.

Walthambury House,  
Witham Road,  
Cressing  
Essex  
CM77 8PD

Tel: +44 (0)1376 552020  
E-Mail: [sales@sfrpc.co.uk](mailto:sales@sfrpc.co.uk)  
Web: [www.sfrpc.co.uk](http://www.sfrpc.co.uk)



### TECHNICAL SPECIFICATIONS

#### Throughput

Up to 320 bags per hour (depending on produce and bag size)

#### Weight Range

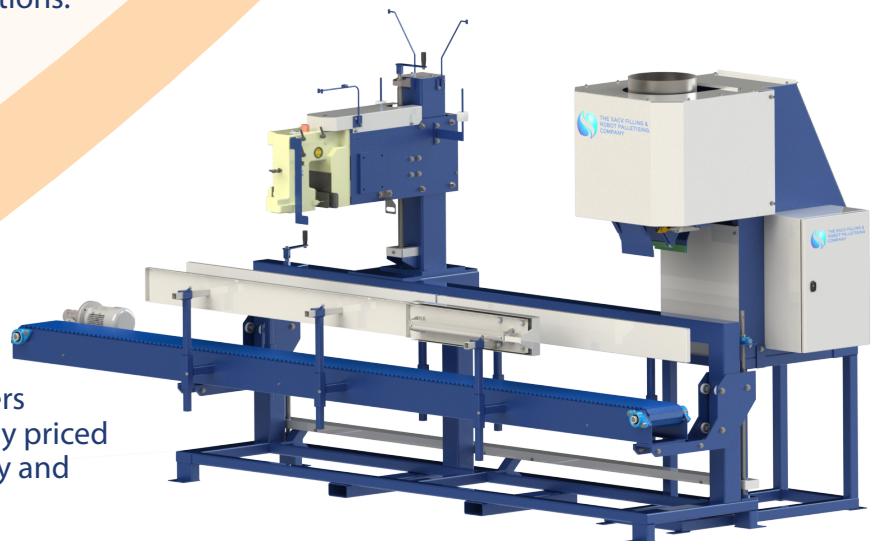
10kg to 50kg.

#### Electrical Requirement

240VAC single phase 50/60Hz  
415VAC 3 Phase 50/60Hz

#### Pneumatic Requirement

3cfm (85 ltr / min) @ 80 psi (5.5 bar)



THE SACK FILLING &  
ROBOT PALLETISING  
COMPANY  
LIMITED