



# MORRAY WALTHAMBURY

BY THE SACK FILLING COMPANY



# M720 SERIES

HIGH THROUGHPUT WEIGHING SYSTEM

# M720 SERIES

## HIGH THROUGHPUT WEIGHING SYSTEM

Developed from a highly successful packing system the Sack Filling 720 Series of High Throughput Weighers incorporate reliable and proven features giving the most cost effective performance for a machine with throughputs of up to 720 25kg bags per hour.

- Weight range of 10kg - 50kg (5kg - 25kg optional).
- Bags and weighs up to 720 bags per hour of potatoes, carrots, root crops, pellet feeds and processed vegetables
- Dual independent weighing mechanisms and PLC control for increased reliability and output speed.
- Offers complete protection , all contact parts are rubber lined.
- PTFE liners for reduced build up of detritus in weigh bins.
- Compatible with automatic sack placing, conveying and sealing system from the Sack Filling Range.

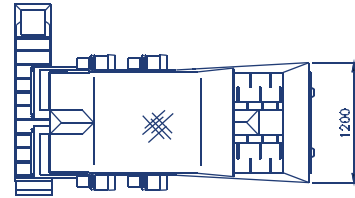
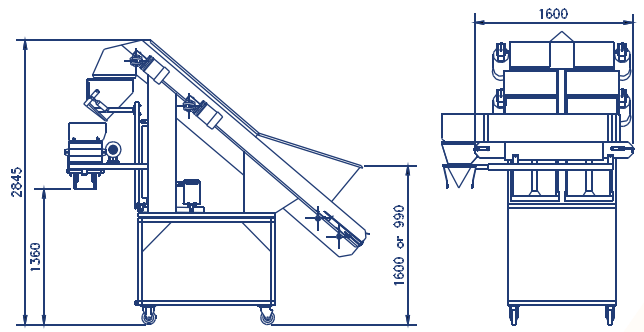
### Optional Extras

- Stainless steel, food quality construction.
- Modifications to weigh between 5-25kg.
- Extended rear elevators for reduced infeed height.
- Reversible cross conveyor to allow filling at either end into bags, trays, boxes etc.
- M730 high accuracy version with unique jog fill system.
- Touchscreen control for increased usability

### The Sack Filling & Robot Palletising Company Ltd.

Walthambury House,  
Witham Road,  
Cressing  
Essex  
CM77 8PD

Tel: +44 (0)1376 552020  
E-Mail: [sales@sfrpc.co.uk](mailto:sales@sfrpc.co.uk)  
Web: [www.sfrpc.co.uk](http://www.sfrpc.co.uk)



### TECHNICAL SPECIFICATIONS

#### Throughput

Up to 720 bags per hour (depending on produce and bag size)

#### Weight Range

10kg to 25kg (up to 50kg optional).

#### Air Requirements

A cool dry air supply, 5.5bar (5cfm/142 ltr/min @ 80psi)

#### Electrical Requirement

440VAC 3 phase



### After Sales Service

Fast on site service by factory trained engineers coupled with extensive stocks of competitively priced spare parts guarantees maximum productivity and protects the customer's investment.



**THE SACK FILLING &  
ROBOT PALLETISING  
COMPANY**  
LIMITED