



THE SACK FILLING & ROBOT PALLETISING COMPANY

LIMITED



T50000

HIGH THROUGHPUT BY WEIGHT OR VOLUME

T5000

Specially designed to fill a wide range of granular or fibrous materials into open mouthed bags and containers. Unique fill by weight or volumetric fill bagging units form the centrepiece of a fast and accurate pre-pack lines for maximum output with minimum labour.

- Quick release pneumatic bag clamps for all types of open mouth sacks.
- Variable speed control feed belt to optimise throughput
- Pneumatically assisted trickle feed system offers, rapid and simple adjustment for varying products.

T5000 Fill by weight version

Suitable for use with most granular and fibrous materials. Weight range between 10kg - 50kg.

T5000 Fill by volume version

Suitable for use with peat, composts, bark, bio-humus and other fibrous materials. Built in passing action to settle material into the bag. Volume range between 10 - 100 litres.

Optional Extras

- Stainless steel construction for food quality
- Sealed belt for dusty materials.
- Dust extraction points
- Range of automatic sack placers, conveyor, sealing systems and hoppers from The Sack Filling range

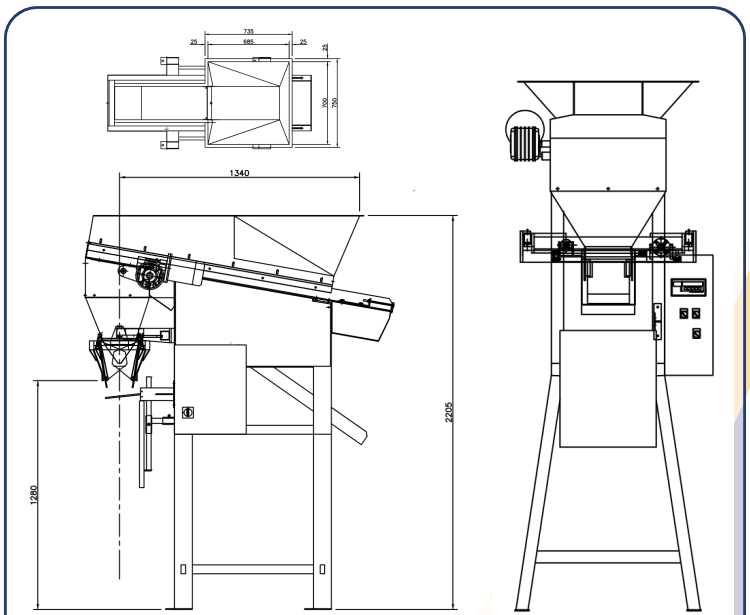


**THE SACK FILLING &
ROBOT PALLETISING
COMPANY**
LIMITED

The Sack Filling & Robot Palletising Company Ltd.

Walthambury House,
Witham Road,
Crossing
Essex
CM77 8PD

Tel: +44 (0)1376 552020
E-Mail: sales@sfrpc.co.uk
Web: www.sfrpc.co.uk



TECHNICAL SPECIFICATIONS

Throughput

Up to 500 bags per hour (depending on produce and bag size)

Weight Range

T5000 weight range: 10kg to 50kg.
T5000 volume range: 10-100 litres.

Pneumatic Requirement

T5000 : 145 litres/min @ 5.5bar /80psi
T5000 : 280 litres/min @ 5.5bar/80psi

Electrical Requirement

T5000 : 415VAC 3ph
T5000 : 415VAC 3ph & N

After Sales Service

Fast on site service by factory trained engineers coupled with extensive stocks of competitively priced spare parts guarantees maximum productivity and protects the customer's investment.

