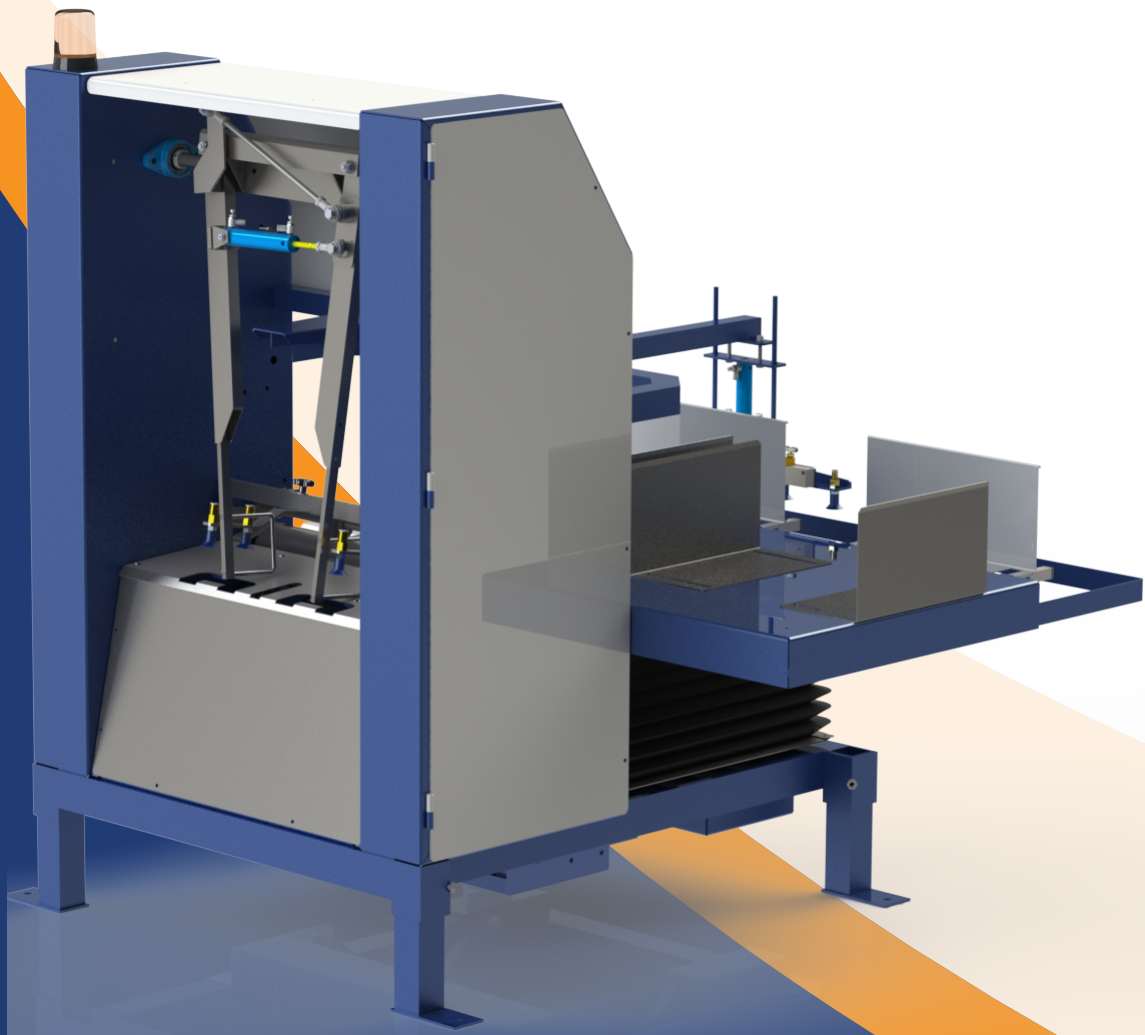




# THE SACK FILLING & ROBOT PALLETISING COMPANY

LIMITED



# **M958 MASP**

## **MORRAY AUTOMATIC SACK PLACER**

# M958 M A S P

## MORRAY AUTOMATIC SACK PLACER

The Morray Automatic Sack Placer uses Morray Engineering's acknowledged expertise in designing simple and elegant mechanical solutions. Based around a feed and pinch roller system providing precise bag registration and consistent bag pick up and placing, the MASP incorporates many novel features to improve reliability, reduce cost of ownership and includes a fully automatic 2x200 bag changeover magazine to allow continuous operation and Venturi vacuum pumps to reduce noise and provide better pick up and release control.

- Fully automatic 2x200 changeover bag magazine allows replenishing of bags without interrupting production cycle.
- Unique roller feed bag positioning allows precise bag registration for faultless placing.
- Works with paper, plastic or woven polypropylene sacks.
- Use of Venturi vacuum units minimizes noise, improves reliability and allows for precise bag pick up and release control.
- Simple mechanical layout utilising 'off the shelf' components results in high reliability, low downtime and low cost of ownership.
- Flexible design allows easy integration with existing or new installations from most filling system manufacturers.
- PLC controlled for long term reliability and minimum cycle times giving optimum throughput on a wide variety of bag sizes.

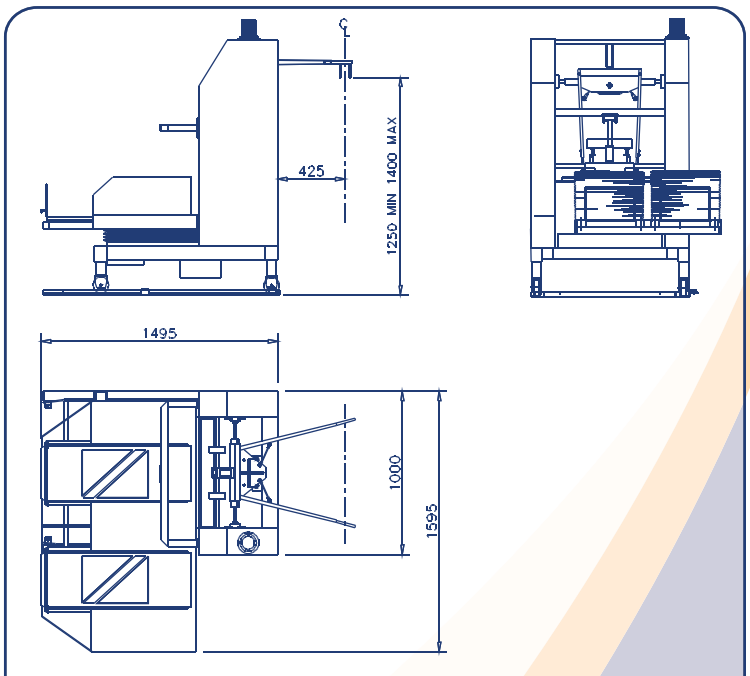
### Optional Extras

- Stainless Steel for food quality.
- Belt fed version available.
- "Bag on a roll" version available.

### The Sack Filling & Robot Palletising Company Ltd.

Walthambury House,  
Witham Road,  
Cressing  
Essex  
CM77 8PD

Tel: +44 (0)1376 552020  
E-Mail: [sales@sfrpc.co.uk](mailto:sales@sfrpc.co.uk)  
[www.sfrpc.co.uk](http://www.sfrpc.co.uk)



### TECHNICAL SPECIFICATIONS

#### Bag Size

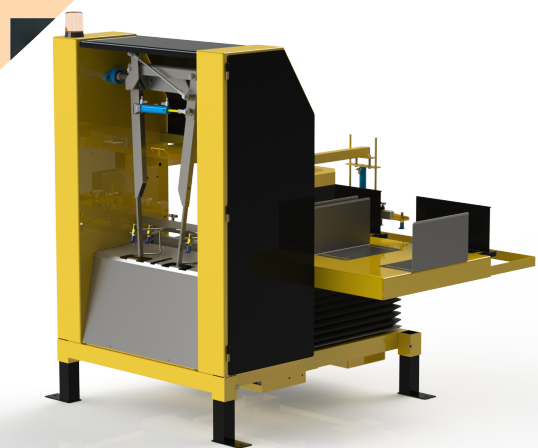
Max : 650mm x 1100mm, Min: 280mm x 500 mm.

#### Air Requirements

A cool dry air supply, 5.5bar (25cfm/710 ltr/min @ 80psi)

#### Electrical Requirement

415VAC, 3 phase, 3 amps



### After Sales Service

Fast on site service by factory trained engineers coupled with extensive stocks of competitively priced spare parts guarantees maximum productivity and protects the customer's investment.



**THE SACK FILLING &  
ROBOT PALLETISING  
COMPANY**  
LIMITED